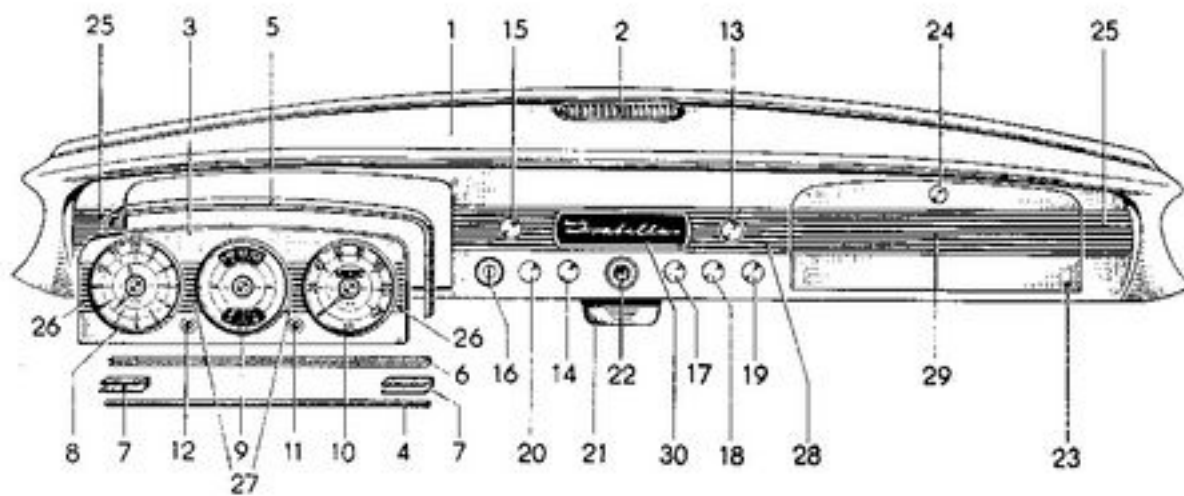


Instrument Panel - Instruments

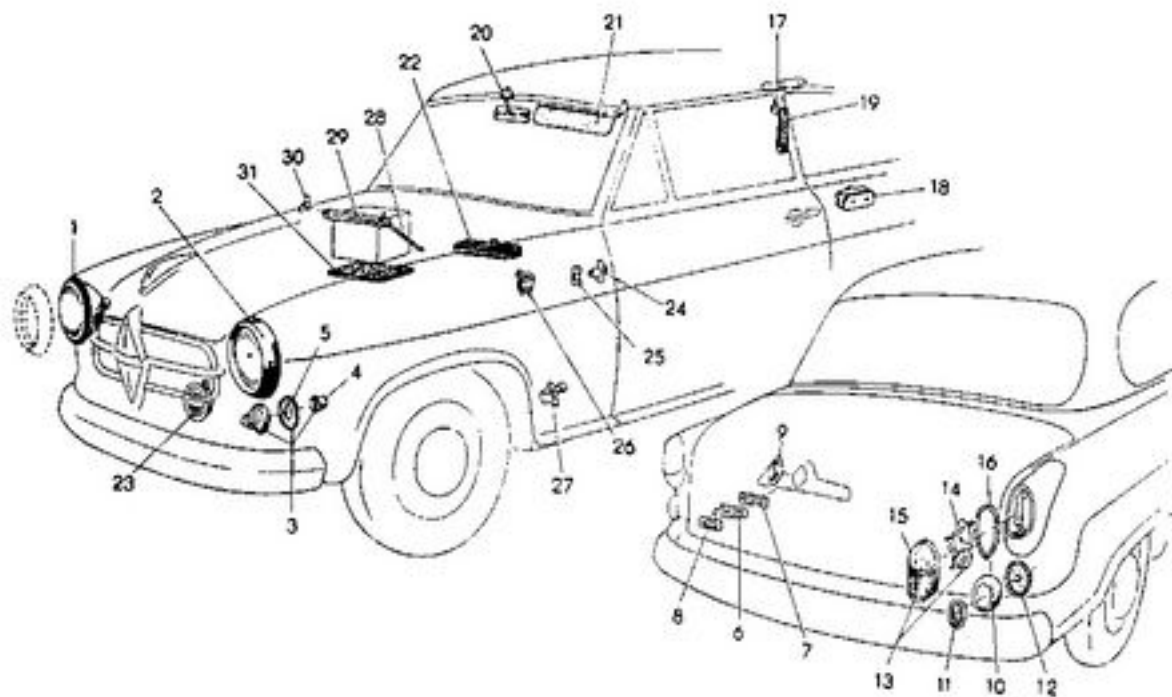
Plate 29



Key No.	Old Part Number	New Part Number	Description	No. per vehicle
1	GA 65.41-137	055 514 01 00	<u>Instrument panel</u>	1
2	C 65.41-325	055 514 02 00	Blind frame - loudspeaker	1
-	E 65.41-361	055 514 04 00	Rubber ring for above	1
-			Attachment of panel board to body:	
-			Bolt, hex. M 8 x 20 DIN 933	6
-			Nut, hex. M 8 DIN 934	6
-	E 21.26-24	000 975 11 00	Washer	12
3	C 65.41-322	055 510 98 00	<u>Case for instruments with blind frame</u>	1
-		055 510 99 00	ditto	1
4	E 65.41-366	055 514 25 00	Rubber strip for instrument case 340 mm or 13 25/64"	1
5	E 65.41-373	055 514 26 00	ditto 535 mm or 21 1/16"	1
6	E 65.41-374	055 514 26 01	ditto 340 mm or 13 25/64"	1
7	E 65.41-414	055 514 16 00	Rubber strip for instrument hoop	2
8	C 65.41-362U	055 514 30 00	Clock	1
9	C 65.41-363U	055 514 31 00	Combination instrument (Thermometer and petrol gauge)	1

Electrical Equipment

Plate 31

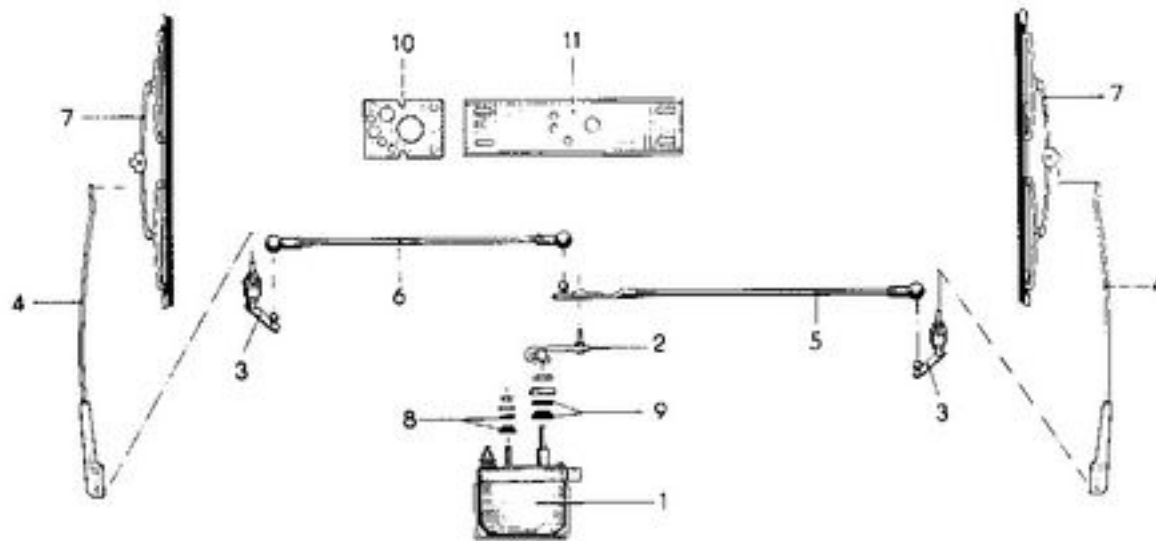


Key No.	Old Part Number	New Part Number	Description	No. per vehicle
1	C 65.41-54 U	055 513 56 00	Headlamp "Hella" complete	2
-	2C 65.41-54U	055 513 56 01	ditto "Bosch"	2
2	65.41-55	055 513 57 00	Rim - headlamp "Hella"	2
-	2-65.41-55	055 513 57 01	ditto "Bosch"	2
-	65.41-582	055 513 58 00	Headlamp glass "Hella"	2
-	65.41-583	055 513 58 01	ditto "Bosch"	2
3	E 65.41-401U	055 510 58 00	Blinker (trafficator), front, compl. "Hella"	2
-	2E 65.41-401U	055 510 58 01	ditto "SWF"	2
-		055 510 58 03	ditto "Bosch"	2
4	65.41-406	055 513 64 00	Dust cap for blinker (trafficator)	2
5	E 65.41-407	055 513 65 00	Rubber frame for blinker (trafficator)	2
6	D 65.42-124U	055 532 32 00	Housing - license plate lamp	2
7	E 65.42-125	055 532 33 00	Gasket, inner	2
8	E 65.42-183	055 532 34 00	Rubber gasket	2
-			Roundhead bolt AM 4 x 15 DIN 84	4
-			Wing nut M 4 DIN 315	4
9	D 65.42-171	055 532 30 00	Medal for license plate lamp	1

Fig. 31

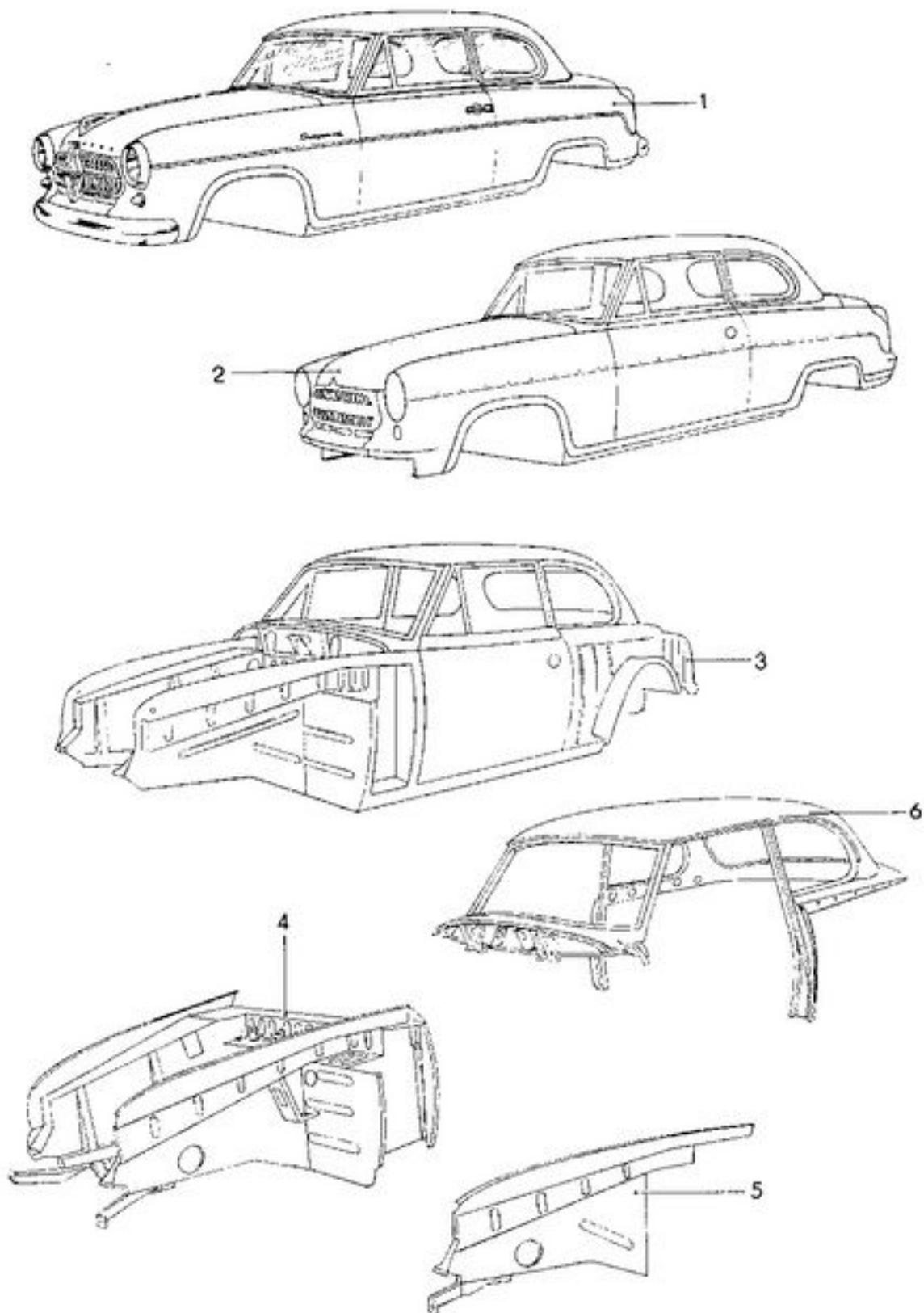
Windscreen Wiper

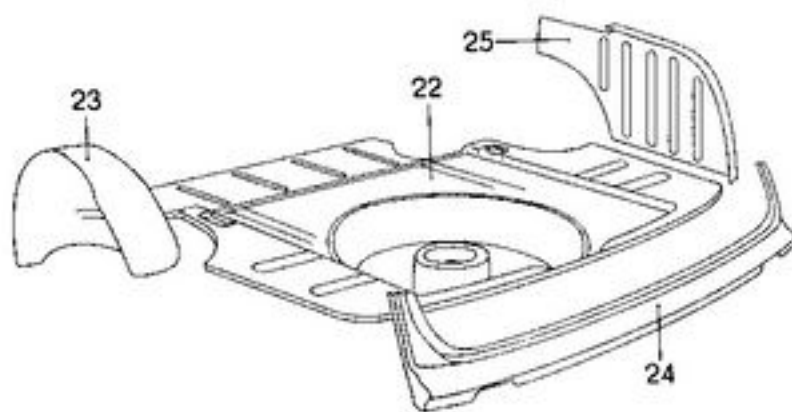
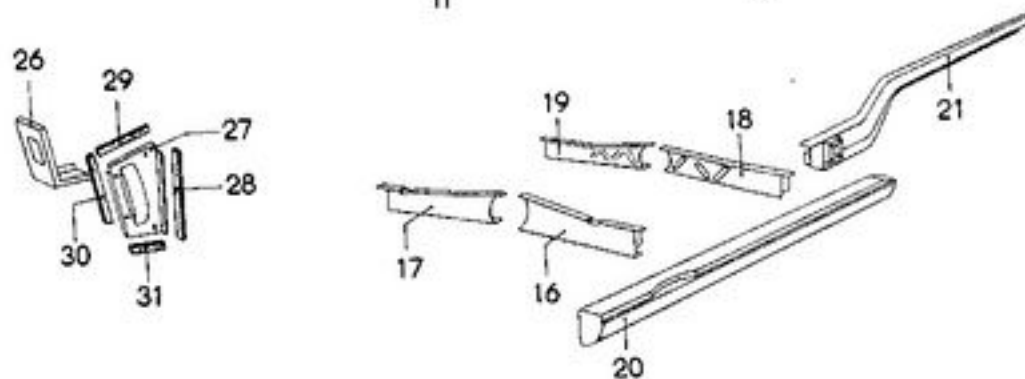
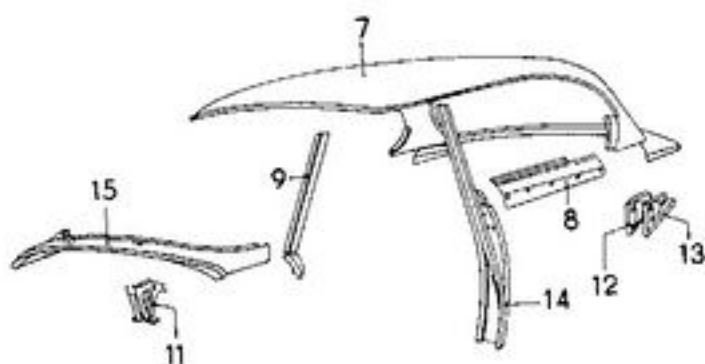
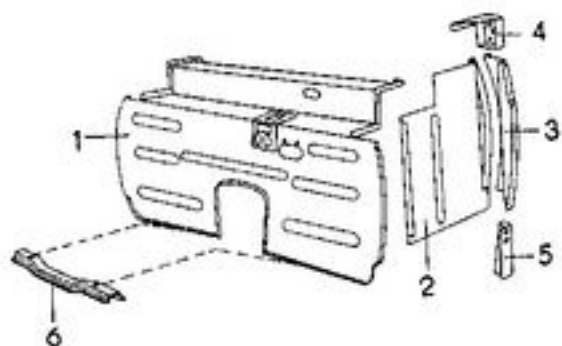
Plate 30



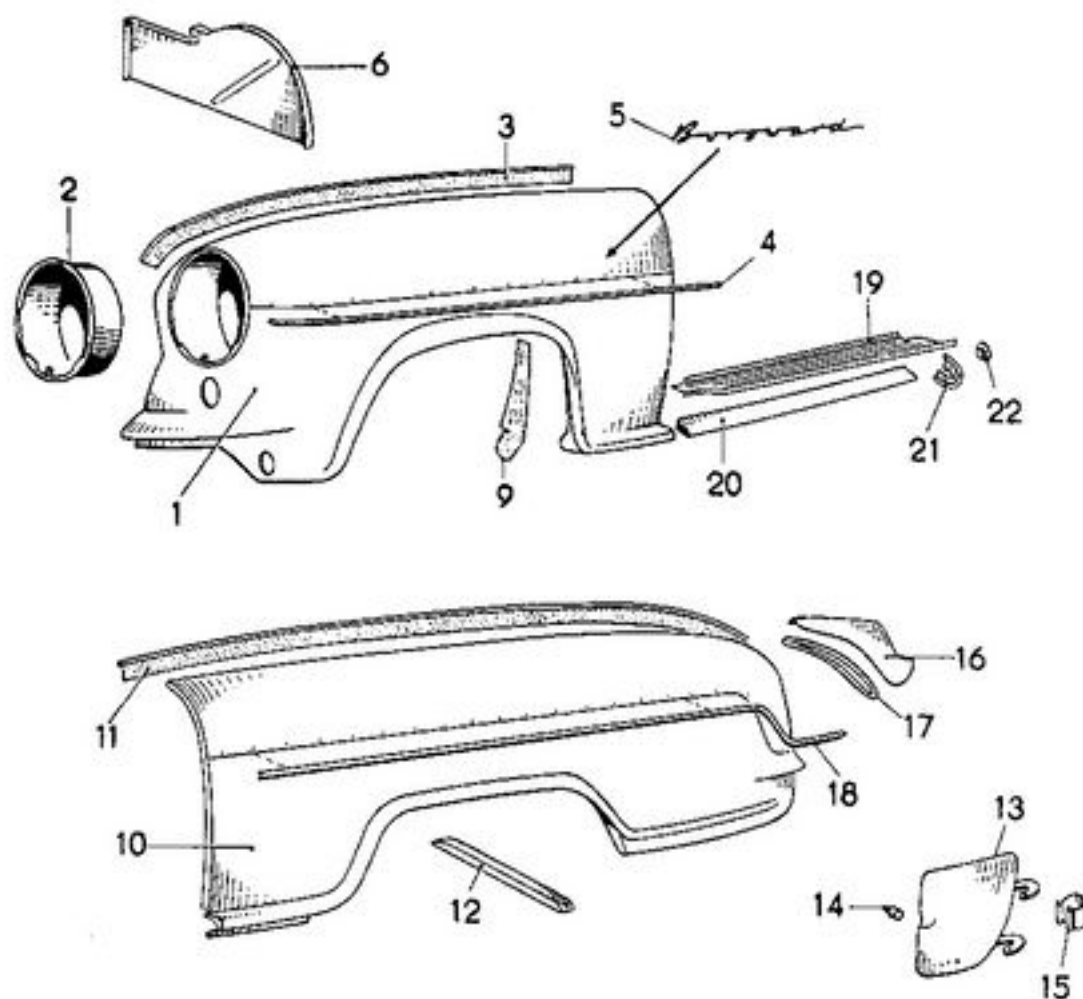
Key No.	Old Part Number	New Part Number	Description	No. per vehicle
<u>Windscreen wiper "SWF"</u>				
1		055 515 01 02	Wiper motor (replacement for 65.41-184).	1
2	65.41-185	055 515 06 00	Swivel bearing	1
3	65.41-186	055 515 10 00	Wiper axle	2
4	65.41-187	055 515 11 00	Wiper arm less blade	2
5	65.41-189	055 515 08 00	Wiper operating rod, left	1
6	65.41-190	055 515 09 00	ditto, right	1
7	65.41-191	055 515 12 00	Wiper blade with hoop	2
8	65.41-416	055 515 04 00	Rubber bush	1
9	65.41-417	055 515 05 00	ditto	1
<u>Windscreen wiper "Bosch"</u>				
1		055 515 01 03	Wiper motor (replacement for 65.41-184A)	1
2	65.41-185 A	055 515 06 01	Clamping crank	1
3	65.41-186 A	055 515 10 01	Wiper axle	2
4	65.41-187 A	055 515 11 02	Wiper arm less blade	2
5	65.41-189 A	055 515 08 01	Wiper operating rod, left	1
6	65.41-190 A	055 515 09 01	ditto, right	1
7	65.41-191 A	055 515 12 01	Wiper blade with hoop	2
10	E 65.41-389	055 515 03 00	Rubber lining	1
11	E 65.41-380	055 515 02 00	Clip for wiper motor	1
-			Bolt, hex. M 6 x 10 DIN 933	4
-			Nut, hex. M 6 DIN 934	4

BORGWARD *Diebstahl* Spare Parts List A 95 2nd Edition January 1957





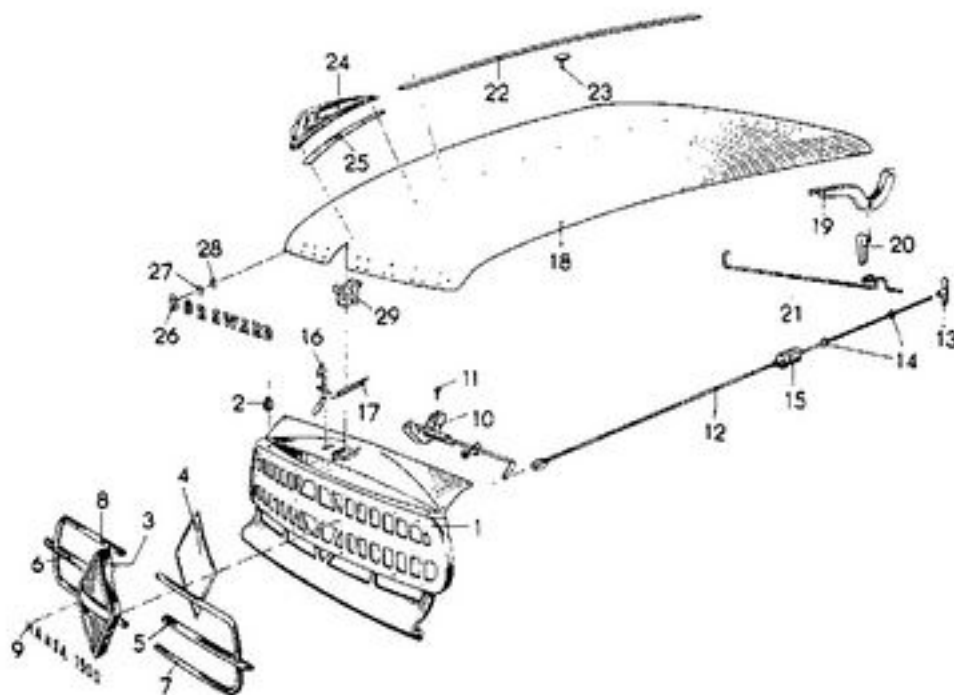
Wing
Plate 35



Key No.	Old Part Number	New Part Number	Description	No. per vehicle
1	GA 65.41-5 U	055 510 26 00	Wing, front, L.H.	1
-	GA 65.41-6 U	055 510 27 00	ditto , R.H.	1
2	4C 38.41-234	055 510 28 00	Housing - headlamp, L.H.	1
-	4C 38.41-246	055 510 29 00	ditto , R.H.	1
			<u>Front wing attachment</u>	
-	65.43-211	055 513 40 00	Felt strip for padding on door pillar . . .	2
-	65.41-490	055 513 41 00	ditto	2

Grille and Hood

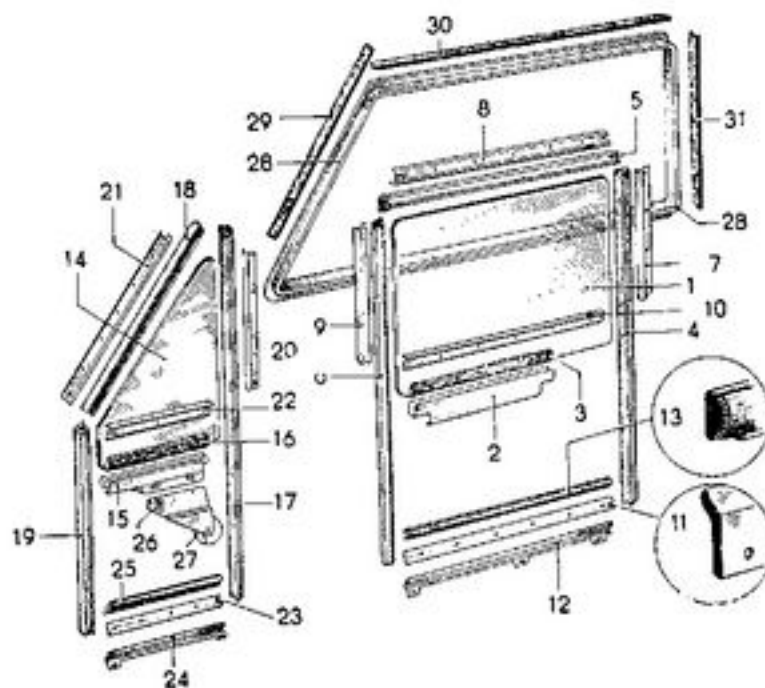
Plate 36



Key No.	Old Part Number	New Part Number	Description	No. per vehicle
1	GA 65.41-39/138	055 510 01 00	<u>Radiator grille</u> , compl., less ornamental batten	1
2	E 65.41-182	000 983 03 00	Rubber buffer	2
-	E 65.42-178	000 982 16 00	Rubber washer	appr. 3
-			Roundhead bolt CM 5 x 35 DIN 84	2
-			Nut, hex. M 4 DIN 934	2
			<u>To attach grille to body:</u>	
-			Roundhead bolt M 4 x 10 DIN 84	6
-			Nut, hex. M 4 DIN 934	6
-	C 65.41-165	055 518 10 00	<u>Stay tube for grille</u>	1
-			Roundhead bolt CM 6 x 20 DIN 84	1
-			Washer 6.4 DIN 125	1
-	E 65.42-178	000 982 16 00	Rubber washer)	1
-	E 38.48-450	000 982 17 00	ditto) optional	1
-	E 55.32-27	055 169 01 00	Holding clip	1
-			Bolt, hex. M 6 x 15 DIN 933	2
-			Nut, hex. M 6 DIN 934	3

Window Glass with Weatherstrips and Chrome Parts

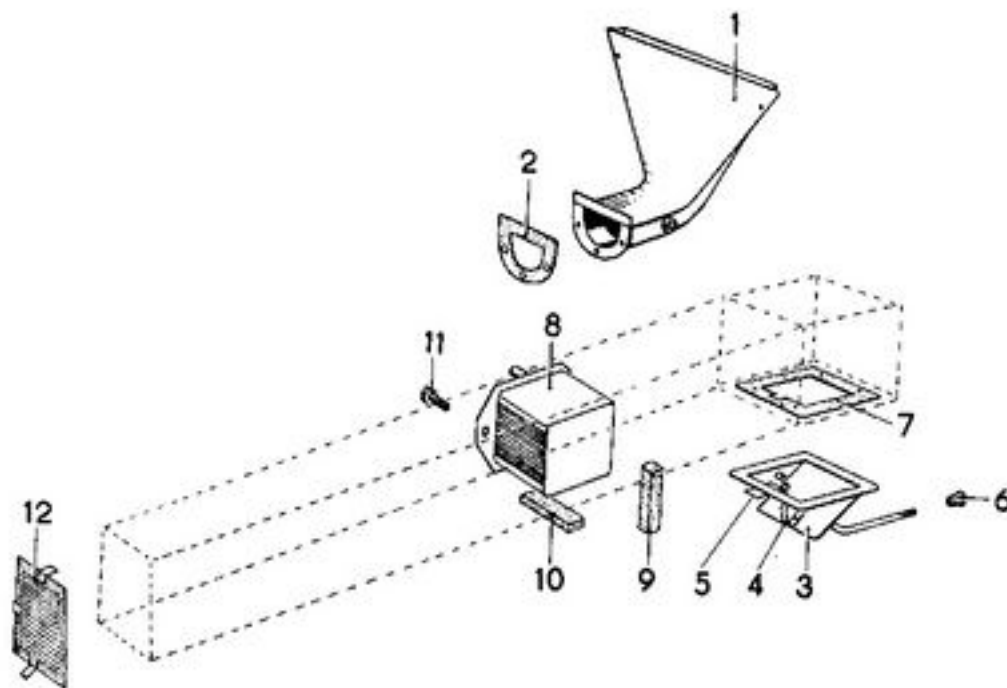
Plate 39



Key No.	Old Part Number	New Part Number	Description	No. per vehicle
1	B 65.45-85	055 596 21 00	Glass - sliding window	2
2	65.45-93	055 596 22 00	Channel (Keiper)	2
-	65.45-199	055 596 22 01	ditto (Brose) Optional	2
3	65.45-152	055 596 23 00	Felt strip 3.5 x 50 x 450 mm	2
4	D 65.45-68	055 596 02 00	Glass run channel, rear, L.H.	1
-	D 65.45-69	055 596 03 00	ditto, rear, R.H.	1
5	D 65.45-70	055 596 04 00	ditto, top	2
6	D 65.45-72	055 596 06 00	ditto, front	2
7	2D 65.45-122	055 596 10 00	Ornamental batten, rear, L.H.	1
-	2D 65.45-123	055 596 11 00	ditto, rear, R.H.	1
8	2B 65.45-99	055 596 12 00	ditto, top, L.H.	1
-	2B 65.45-100	055 596 13 00	ditto, top, R.H.	1
9	2E 65.45-87	055 596 16 00	ditto, front, L.H.	1
-	2E 65.45-88	055 596 17 00	ditto, front, R.H.	1
10	2E 65.45-107	055 597 08 00	ditto, bottom	2
11	D 65.45-288	055 597 10 00	Shaft sealing batten, outer	2
12	B 65.45-81	055 597 06 00	Retainer for above, L.H.	1
-	B 65.45-82	055 597 07 00	ditto, R.H.	1
-	E 65.45-290	055 597 12 00	Reinforcement for sealing	2
13	E 65.45-77	055 590 67 00	Shaft sealing batten, inner	2

Air Conditioning System

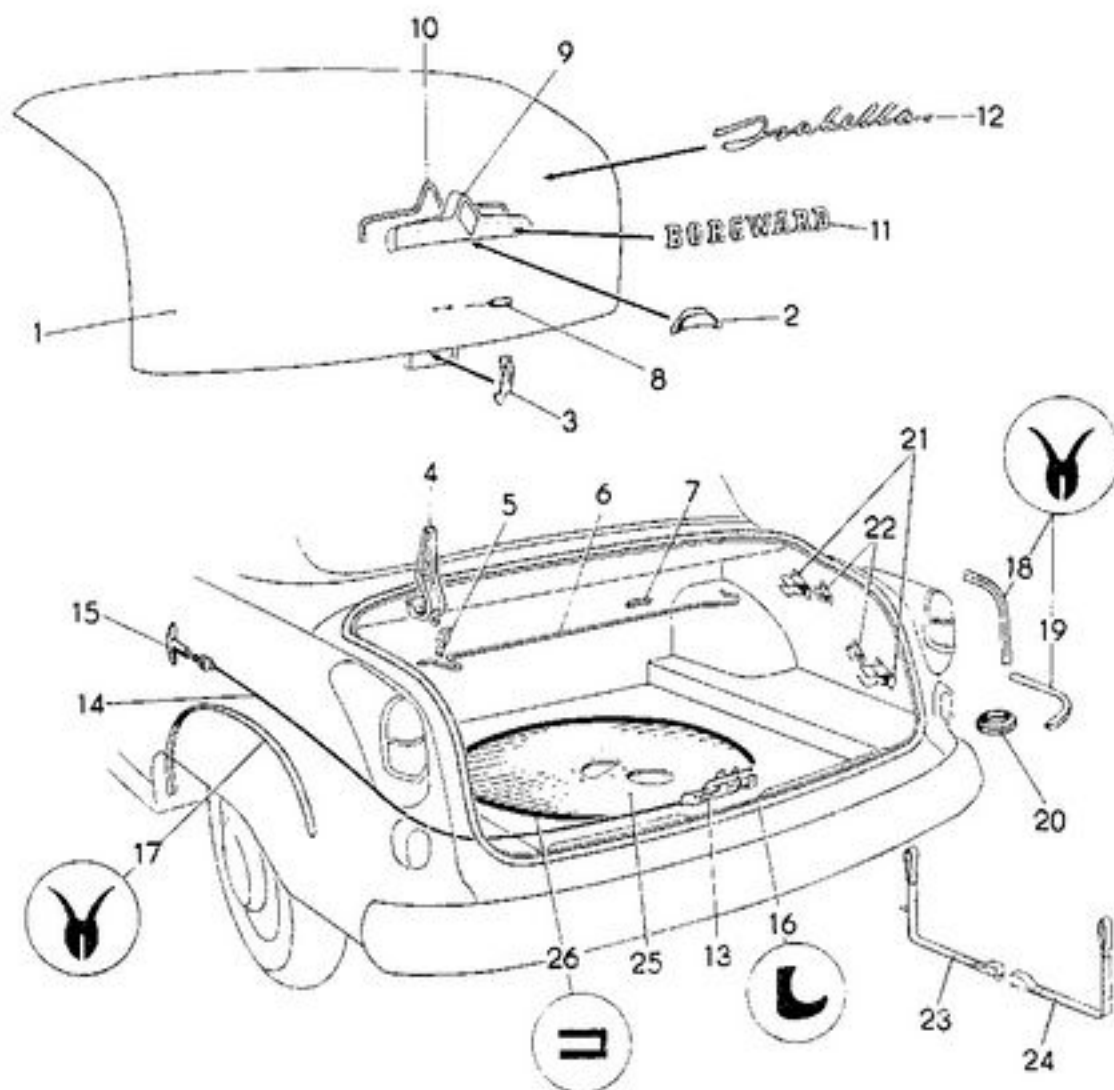
Plate 34



Key No.	Old Part Number	New Part Number	Description	No. per vehicle
1	B 65.41-140U	055 510 32 00	Nozzle pipe, L.H.	1
-	B 65.41-141U	055 510 33 00	ditto , R.H.	1
2	E 65.41-313	055 516 13 00	Gasket	2
-			Roundhead bolt AM 4 x 8 DIN 84	8
3	C 65.41-96 U	055 510 38 00	Heater flap	2
4	E 65.41-100	055 516 18 00	Leafspring for heater flap	2
5	2E 38.41-515U	055 510 80 01	Spring roll	2
6	E 65.41-337	055 514 08 01	Button	2
7	E 65.41-99	055 516 23 00	Rubber frame	2
-			Roundhead bolt AM 4 x 10 DIN 84	8
-			Nut, hex. M 4 DIN 934	8
8	E 65.41-74 U	055 516 26 00	Radiator	2
9	E 65.43-222	055 516 27 00	Gasket for above	2
10	E 65.43-223	055 516 28 00	ditto	4
11			Bolt, hex. M 8 x 15 DIN 933	4
12	E 65.43-195U	055 510 42 00	Screen wire insert for air duct, L.H. . . .	1
-	E 65.43-196U	055 510 43 00	ditto , R.H.	1
-			Cylinder sheet screw S 2,9 x 9,5 DIN 7971	6

Trunk Lid - Tank Mounting - Rear Wheelarch Panel

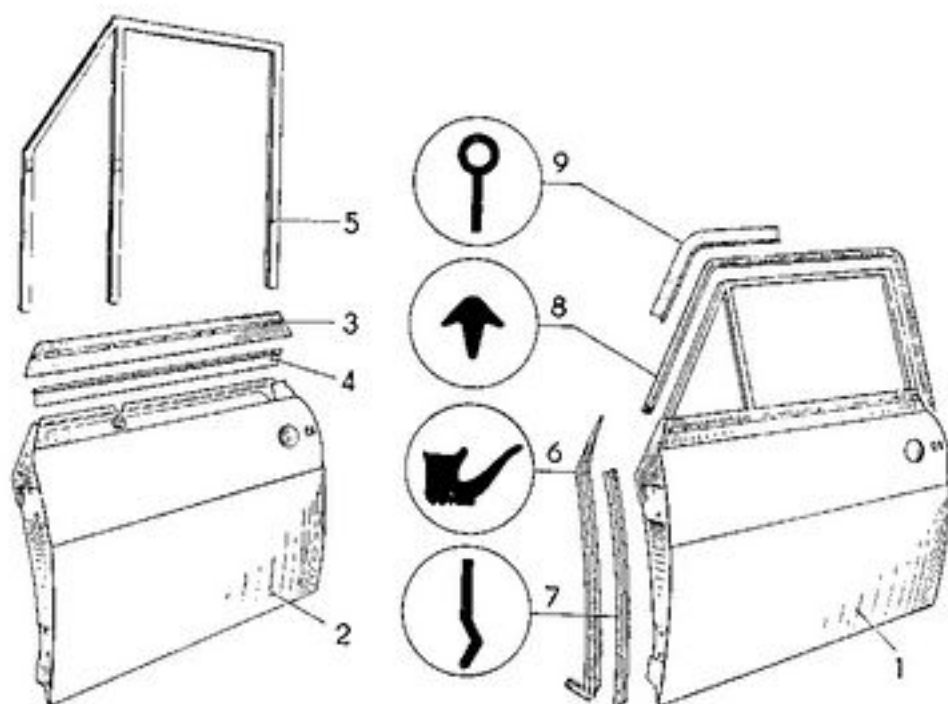
Plate 37



Key No.	Old Part Number	New Part Number	Description	No. per vehicle
1	(GA 65.42-10U)	055 530 08 00	Trunk lid, complete	1
2	E 65.42-129	055 532 07 00	Shell handle	1
3	E 65.42-110	055 532 16 00	Slam lock	1
-			Bolt, hex. M 5 x 15 DIN 933	2
4	C 65.42-42 U	055 530 14 00	Hinge lever, L.H.	1
-	C 65.42-42aU	055 530 15 00	ditto, , R.H.	1
-			Bolt 10 h 11 x 85 x 80 DIN 1435	2
-			Washer 10 DIN 1440	2
-			Bolt, hex. M 8 x 15 DIN 933	4
-			Washer 8.4 DIN 125	4

Door, complete, and Door Rubber Seals

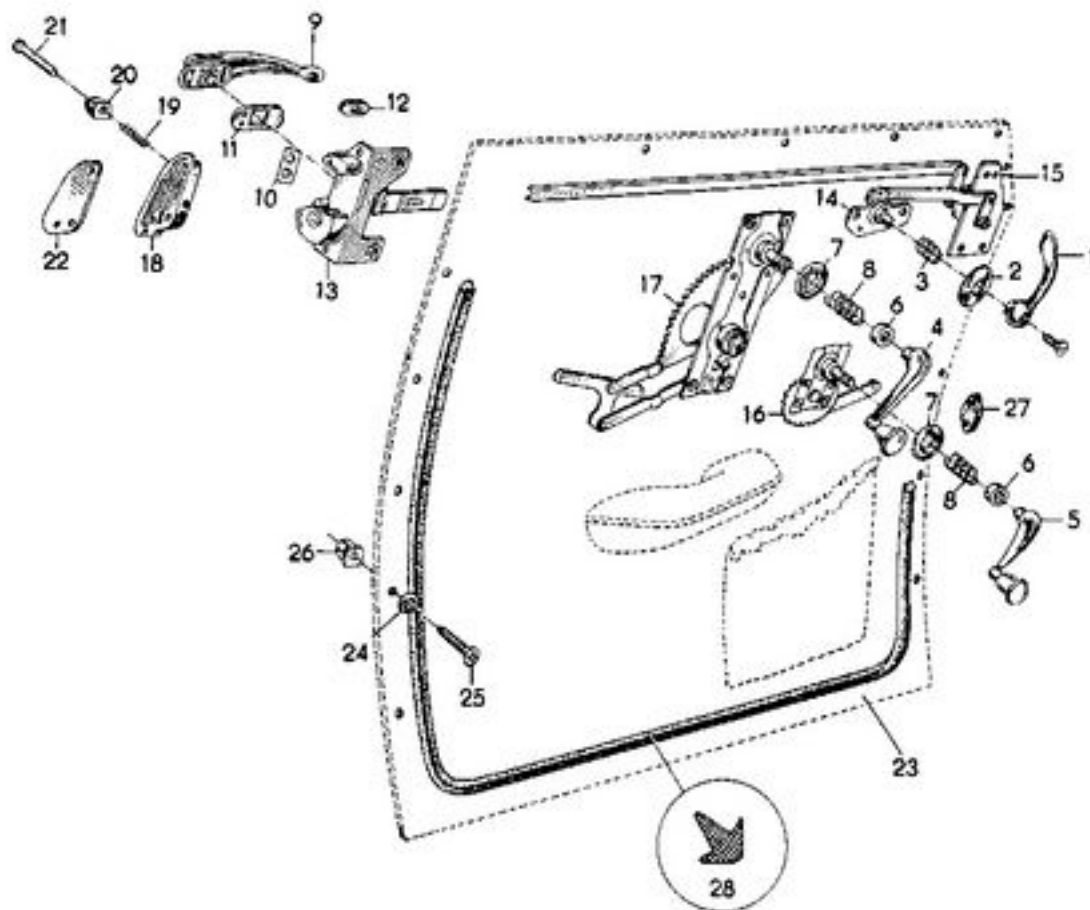
Plate 40



Key No.	Old Part Number	New Part Number	Description	No. per vehicle
-	GA 65.45-1U	055 590 04 00	Door, complete, L.H. } *	1
-	GA 65.45-2U	055 590 05 00		Door, complete, R.H. }
			*) incl. all components as: Panes, window regulator, lock, doorhandles, chromium parts and hinges (less door cover) (Door is provided with protective coating)	
1		055 590 02 00	Door, complete, L.H. } less	1
-		055 590 03 00	ditto, R.H. } components	1
2	(GA65.45-57U)	055 590 10 00	Door - lower part, L.H.	1
-	(GA65.45-58U)	055 590 11 00	ditto , R.H.	1
-	(GA65.45-3)	055 590 16 00	Door outer plate for lower part, L.H.	1
-	(GA65.45-4)	055 590 17 00	ditto, R.H.	1
3	GA 65.45-5	055 590 40 00	Upper railing plate, L.H.	1
-	GA 65.45-6	055 590 41 00	ditto, R.H.	1
-			Bolt, hex. M 6 x 15 DIN 933	8
-			Countersunk screw S 3.5 x 13 DIN 7972	2
-			ditto Z 3.5 x 9.5 DIN 7972	2

Door, Fittings

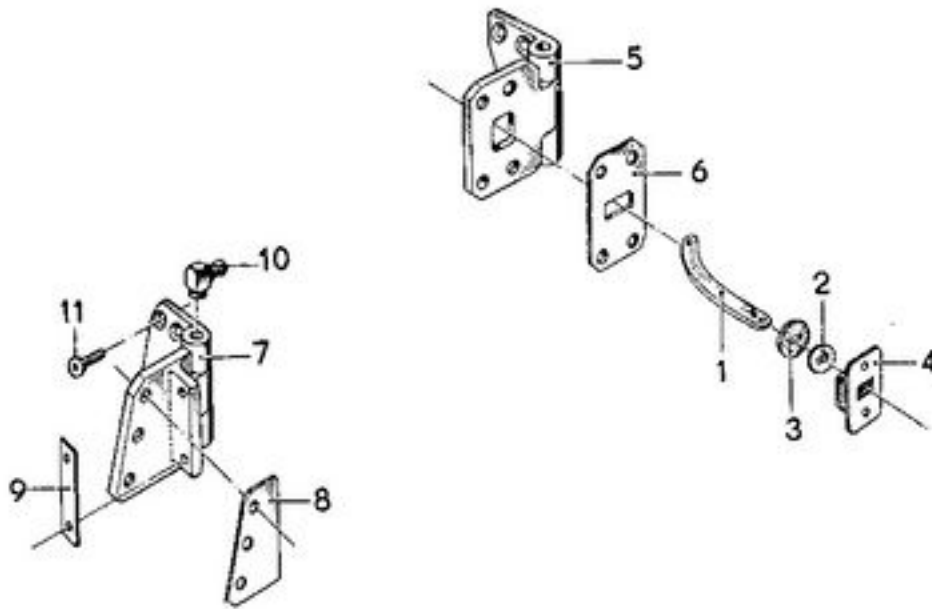
Plate 42



Key No.	Old Part Number	New Part Number	Description	No. per vehicle
1	65.45-180	055 595 01 00	Inside door handle	2
2	65.45-181	055 595 02 00	Escutcheon	2
3	65.45-182	055 595 03 00	Spring	2
-			Lenshead countersunk screw (chromium plated) AM 6 x 18 DIN 88	2
4	D 65.45-189	055 595 05 00	Handle - window regulator	2
5	D 65.45-190	055 595 10 00	Handle - ventilating window	2
6	65.45-220	055 595 06 00	Escutcheon - upper part	4
7	65.45-221	055 595 07 00	Escutcheon - lower part	4
8	38.45-134	055 595 08 00	Spring	4
-			Cheese head screw 3 m 6 x 14 DIN 7	4

Door Hinges - Door Check

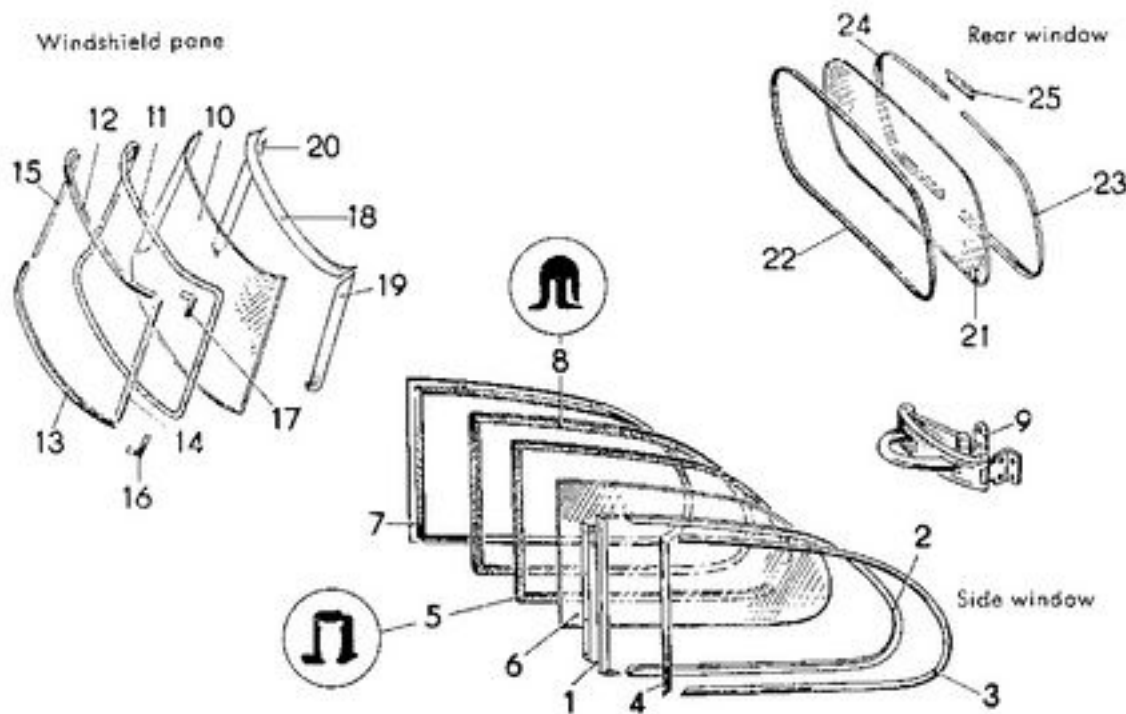
Plate 41



Key No.	Old Part Number	New Part Number	Description	No. per vehicle
<u>Door check</u>				
1	65.41-124	055 518 07 00	Check rod	2
2	65.41-510	000 993 16 00	Washer	2
3	E 65.45-191	055 518 08 00	Rubber buffer	2
4	38.41-443 U	055 518 06 00	Support	2
<u>Door check attachment:</u>				
-			Countersunk screw M 5 x 12 DIN 63	4
-			Lenshead screw with shoulder M 4 x 8 DIN 923	2
-			Washer 5.3 DIN 125	4
-			ditto 4.3 DIN 125	2
-			Nut, hex. M 5 DIN 934	4
-			ditto M 4 DIN 934	2

Window Glass with Weatherstrips and Chrome Parts

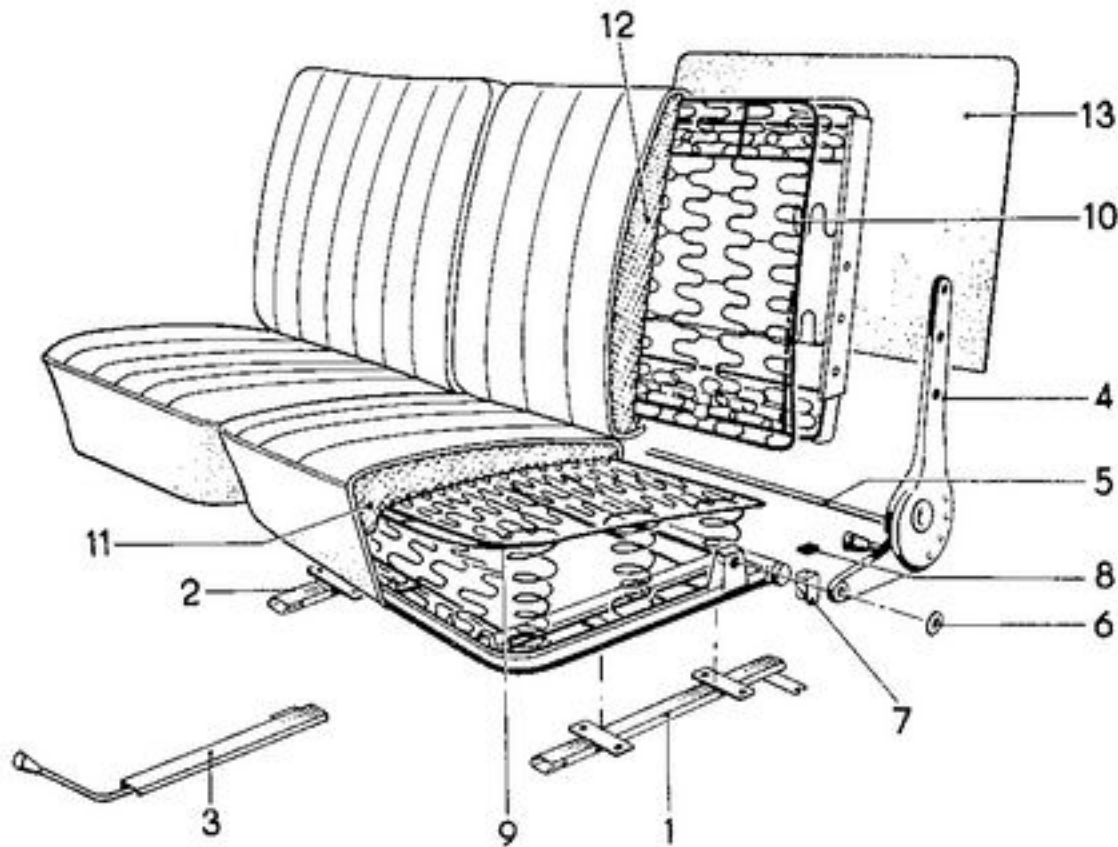
Plate 38



Key No.	Old Part Number	New Part Number	Description	No. per vehicle
			<u>Side window</u>	
-	B 65.42-31 U	055 570 58 00	Side window frame, compl., L.H.	1
-	B 65.42-32 U	055 570 59 00	ditto,, R.H.	1
1	65.42-33/37	055 570 60 00	Frame - front part	2
2	65.42-34	055 574 02 00	Frame - rear part, L.H.	1
-	65.42-35	055 574 03 00	ditto, R.H.	1
-			Roundhead bolt (chromium plated) AM 4 x 6 DIN 84	8
3	B 65.42-57	055 574 06 00	Arch - ornamental batten, L.H.	1
-	B 65.42-58	055 574 07 00	ditto, R.H.	1
4	65.42-187	055 574 08 00	Ornamental batten bridge, L.H.	1
-	65.42-188	055 574 09 00	ditto, R.H.	1
5	B 65.42-56	055 574 10 00	Rubber frame, L.H.	1
-	B 65.42-71	055 574 11 00	ditto, R.H.	1
6	B 65.42-30	055 574 12 00	Glass - side window	2
7	B 65.42-38	055 574 14 00	Railing frame, L.H.	1
-	B 65.42-39	055 574 15 00	ditto, R.H.	1
-			Lenshead countersunk plate screw (chromium plated) S 3.9 x 32 DIN 7983	10

Components for Seats

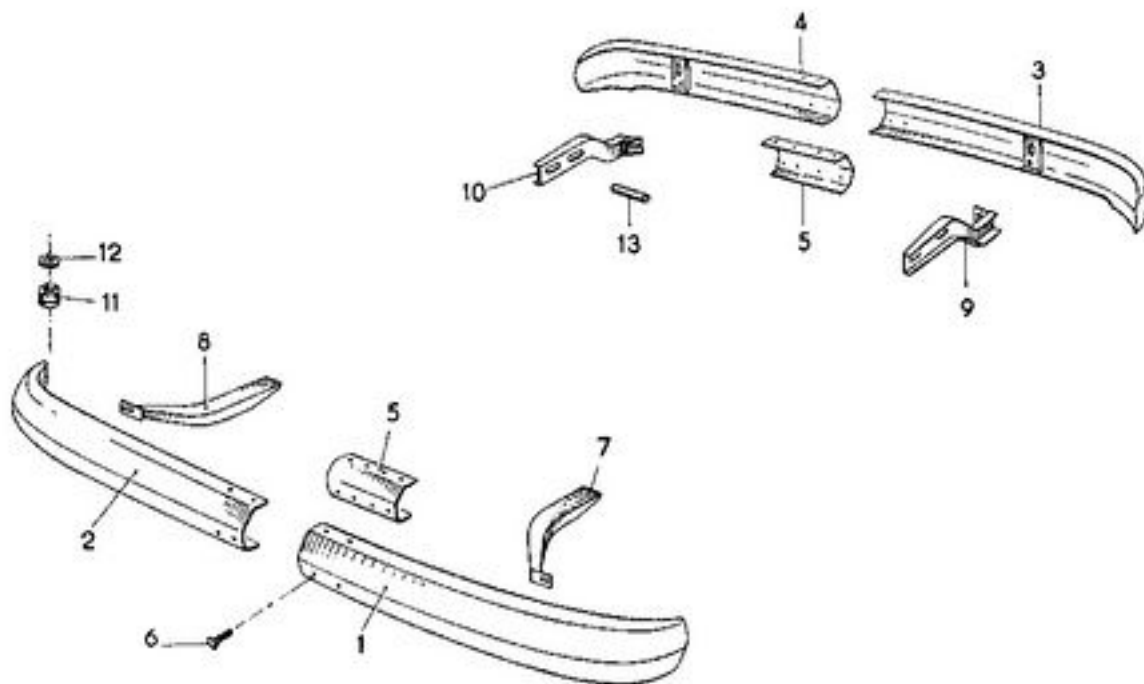
Plate 3



Key No.	Old Part Number	New Part Number	Description	No. per vehicle
-	61.46-106 U		Sliding rail, bottom	4
-	C 61.46-109		ditto, top	4
-	C 65.46-73 U		Sliding rail support, centre	1
-	65.46.87		Sliding seat support, outer, L.H.)	1
-	65.46-174		ditto, R.H.)	1
-	E 61.41-259		Rubber buffer, for above,	2
-	C 65.46-75 U		Bracket for ratchet plate, L.H.	1
-	C 65.46-76 U		ditto, R.H.	1
1	B 65.46-181U	055 610 66 00	Sliding rail for left seat, L.H.	1
2	B 65.46.182U	055 610 67 00	ditto, R.H.	1

Bumpers

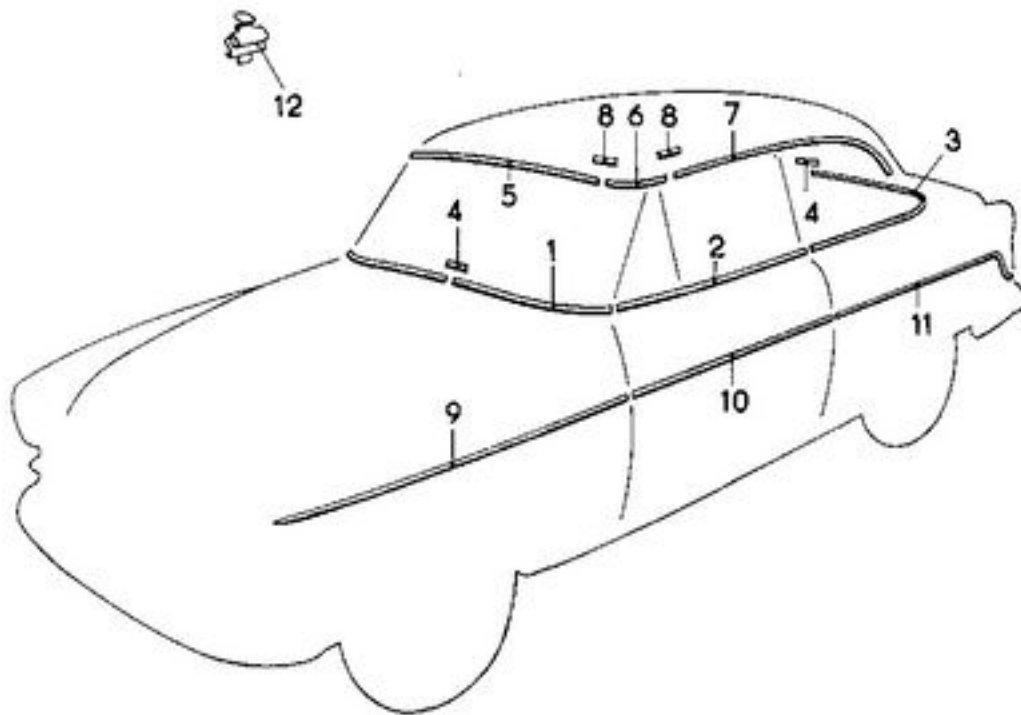
Plate 43



Key No.	Old Part Number	New Part Number	Description	No. per vehicle
1	65.43-101 U	055 550 86 00	Bumper half, front, L.H.	1
2	65.43-102 U	055 550 87 00	ditto, front, R.H.	1
3	65.43-103 U	055 550 92 00	ditto, rear, L.H.	1
4	65.43-104 U	055 550 93 00	ditto, rear, R.H.	1
5	C 65.43-98	055 554 08 00	Clip	2
6			Cheese head bolt (chromium plated) M 5 x 12 DIN 603	16
			Nut, hex, M 5 DIN 934	16
7	C 65.43-91	055 551 62 00	Back bar, front, L.H.	1
8	C 65.43-92	055 551 63 00	ditto, front, R.H.	1
9	C 65.43-188U	055 550 94 00	ditto, rear, L.H.	1
10	C 65.43-189U	055 550 95 00	ditto, rear, R.H.	1
-			Bolt, hex, for bumper attachment M 10 x 30 DIN 931	4
-			Washer 10.5 DIN 125	4
11	E 65.43-97	000 983 05 00	Rubber buffer	4
-			Bolt, hex, M 10 x 50 DIN 931	2
12	E 65.43-96	000 993 21 00	Washer	4
-			Bolt, hex, M 10 x 45 DIN 931	2
13	E 65.43-110	055 554 23 00	Spacer tube	4
-			Bolt, hex, M 10 x 50 DIN 931	4
-			Nut, hex, M 10 DIN 934	4

Mouldings

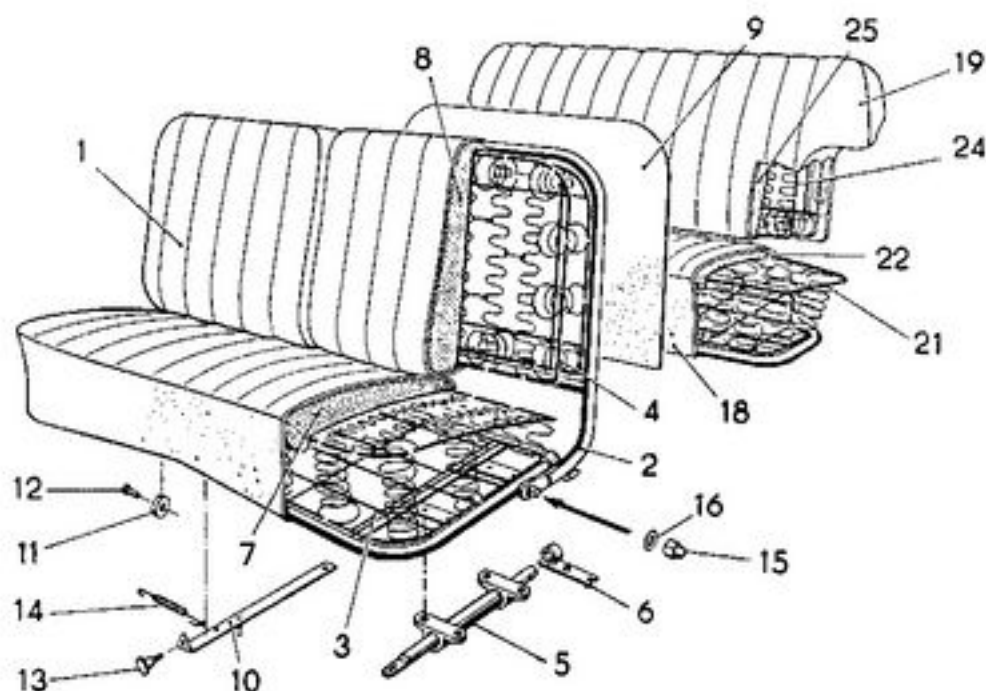
Plate 44



Key No.	Old Part Number	New Part Number	Description	No. per vehicle
<u>Railing mouldings</u>				
1	65.44-32	055 575 20 00	- on windrun, L.H.	1
-	65.44-49	055 575 21 00	- on windrun, R.H.	1
2	2GA65.45-101	055 597 16 00	- on door, L.H.	1
-	2GA65.45-102	055 597 17 00	- on door, R.H.	1
3	65.44-33	055 575 22 00	- rear part, L.H.	1
-	65.44-34	055 575 23 00	- rear part, R.H.	1
4	2-65.44-35	055 575 24 00	- Clip	2
-	E 65.45-307	055 597 14 00	Washer for moulding on door, L.H. . .	1
-	E 65.45-308	055 597 15 00	ditto, R.H.	1
<u>Roof moulding</u>				
5	2-65.44-27	055 575 01 00	- front on windrun	1
6	2-65.44-46	055 575 06 99	- corner part, L.H.	1
-	2-65.44-47	055 575 07 99	- corner part, R.H.	1
7	2-65.44-28	055 575 02 99	- side, L.H.	1
-	2-65.44-29	055 575 03 99	- side, R.H.	1

90 Up on Chevrolet 195, 160 809

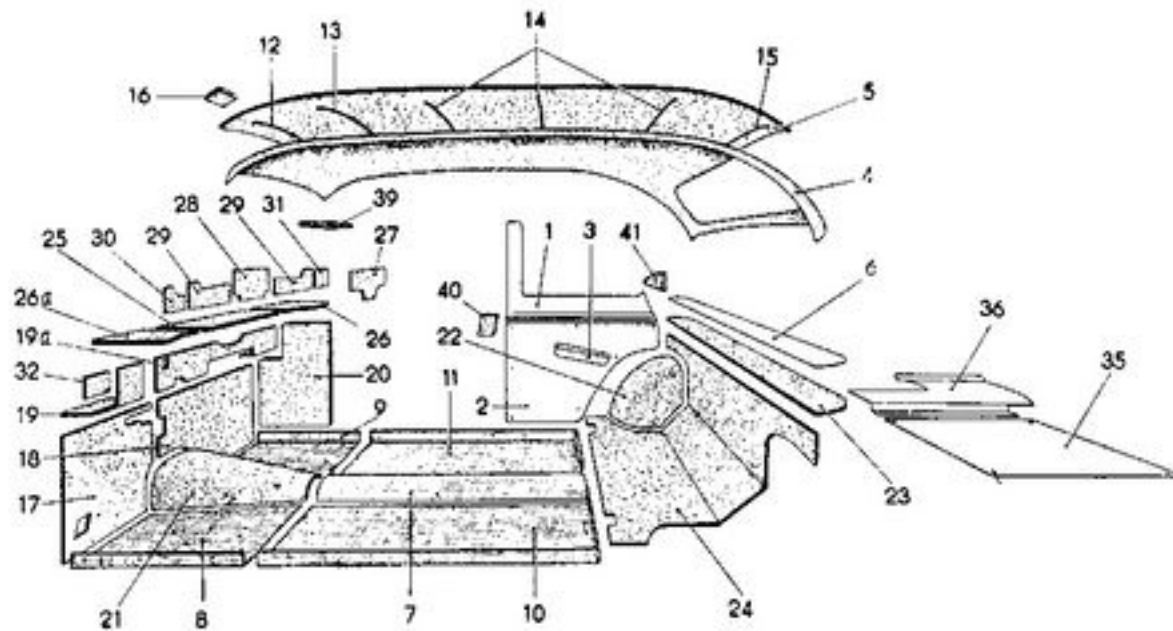
Seats
Plate 45



Key No.	Old Part Number	New Part Number	Description	No. per vehicle
1	GA 65.46-5U	055 610 04 00	Sliding seat, front, complete . . .	1
2	GA 65.46-171U	055 610 06 00	sliding seat - frame, front, compl.	1
3	GA 65.46-170	055 611 06 00	Spring cushion - front seat . . .	1
4	GA 65.46-8	055 611 08 00	ditto, back rest, L.H.	1
-	GA 65.46-9	055 611 09 00	ditto, back rest, R.H.	1
-	C 38.46-58 U	055 610 14 99	Slide tube, complete	2
-	D 65.46-10 U	055 610 99 00	Slide tube bearing, front, compl.	2
5	2C 65.46-58U	055 610 14 00	Slide tube, complete	2
-	D 65.46-71	055 610 64 00	Sliding rail	1
-	D 65.46-72	055 610 65 00	ditto, R.H.	1
6	D 65.46-11 U	055 610 16 00	Slide tube bearing, rear, L.H.	1
-	D 65.46-12 U	055 610 17 00	ditto, R.H.	1
7	D 65.46-172U	055 610 20 00	Rubberhair padding for seat . . .	1
8	D 65.46-14	055 611 14 00	ditto for back rest, L.H.	1
-	D 65.46-15	055 611 15 00	ditto for back rest, R.H.	1
9	A 65.46-52	055 611 16 00	Back rest cardboard, L.H.	1
-	A 65.46-53	055 611 17 00	ditto, R.H.	1

Interior Trimming - Anti Rattle Sheets

Plate 46



Key No.	Old Part Number	New Part Number	Description	No. per vehicle
-	GA 65.47-1	055 630 08 00	Side window trimming, upper, L.H.	1
1	GA 65.47-2	055 630 09 00	ditto, upper, R.H.	1
-	GA 65.47-160U	055 630 10 00	Side window trimming - bottom part with armrest, L.H.	1
2	GA 65.47-161U	055 631 11 00	ditto, R.H.	1
3	C 65.47-169	055 632 67 00	Arm-rest padding	2
-			Covering cloth - interior trimming	1,0
-			Leatheroid - interior trimming	4,2
4		055 632 01 00	Roof lining	3,8
5		055 632 02 00	Roof felt	2,3
6	B 65.47-71	055 632 36 00	Cardboard - hat deposit	1
-		055 632 01 03	Plastic roof lining "Nappaflex" (2.73m ²)	1
-		055 632 01 04	ditto "Nappaflex" (1.40x20 mm)	2
-		055 632 02 05	Roof felt "Moltopreen" (2.25 m ²)	1
-		901 668 15 17	C.s. self tapping screws S 3.5x13 DIN 7972	20
			<u>Anti rattle sheets: (Bitumen felt)</u>	
7	D 65.47-23	055 633 01 00	- on centre tunnel	1
8	B 65.47-24	055 633 02 00	- on floor, front, L.H.	1
9	B 65.47-25	055 633 03 00	- ditto, front, R.H.	1
10	B 65.47-26	055 633 04 00	- ditto, rear, L.H.	1
11	B 65.47-27	055 633 05 00	- ditto, rear, R.H.	1

(*) Parts see covered (figures in italics)

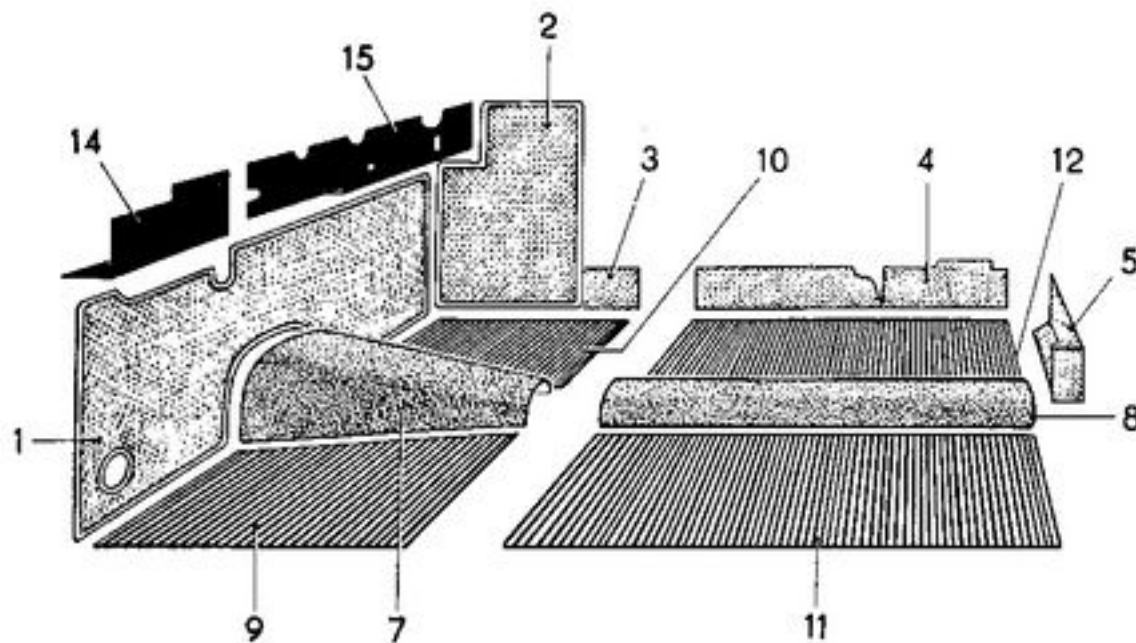
(**) On the chassis no. 710 406

(*) Same colour or seal process

(*) Specific lighting standard lamps

Interior Trimmings - Carpets - Mats - Front Panel Card Board

Plate 47



Key No.	Old Part Number	New Part Number	Description	No. per vehicle
Carpets:				
1	65.47-52	055 631 10 00	- on front panel	1
-	65.47-53	055 631 12 00	- front panel, side part, L.H.	1
2	65.47-54	055 631 13 00	- ditto, R.H.	1
-	65.47-55	055 631 14 00	- on beam, L.H., front	1
3	65.47-56	055 631 15 00	- ditto, R.H., front	1
-	65.47-57	055 631 16 00	- ditto, L.H., rear	1
4	65.47-58	055 631 17 00	- ditto, R.H., rear	1
-	65.47-60	055 631 18 00	- on rear cross member, L.H.	1
5	65.47-61	055 631 19 00	- ditto, R.H.	1
-	E 65.47-72	055 631 21 00	Carpet attachment batten on front panel	2
Mats: (Rubber)				
7	GA 65.47-46	055 631 01 00	- on gearbox cover plate	1
8	C 65.47-47	055 631 02 00	- on centre tunnel	1
9	B 65.47-48	055 631 04 00	- front, L.H.	1
10	B 65.47-49	055 631 05 00	- front, R.H.	1
11	B 65.47-50	055 631 06 00	- rear, L.H.	1
12	B 65.47-51	055 631 07 00	- rear, R.H.	1
-		055 631 04 02	- front, L.H.	1
-		055 631 05 02	- front, R.H.	1
-		055 631 06 02	- rear, L.H.	1
-		055 631 07 02	- rear, R.H.	1
14	65.47-90	055 632 58 00	Front panel card board, L.H.	1
15	65.47-91	055 632 59 00	- ditto, R.H.	1
-			Lenshead c.s. screw (chromium plated)	
-			S 3.5 x 22 DIN 7983	8
-			S 3.5 x 25 DIN 7983	24
-		904 395 51 00	Cloth protection washers GHE 32642	32

⁽¹⁾ Up to Chassis No. 743 456

⁽²⁾ From Chassis No. 743 456

